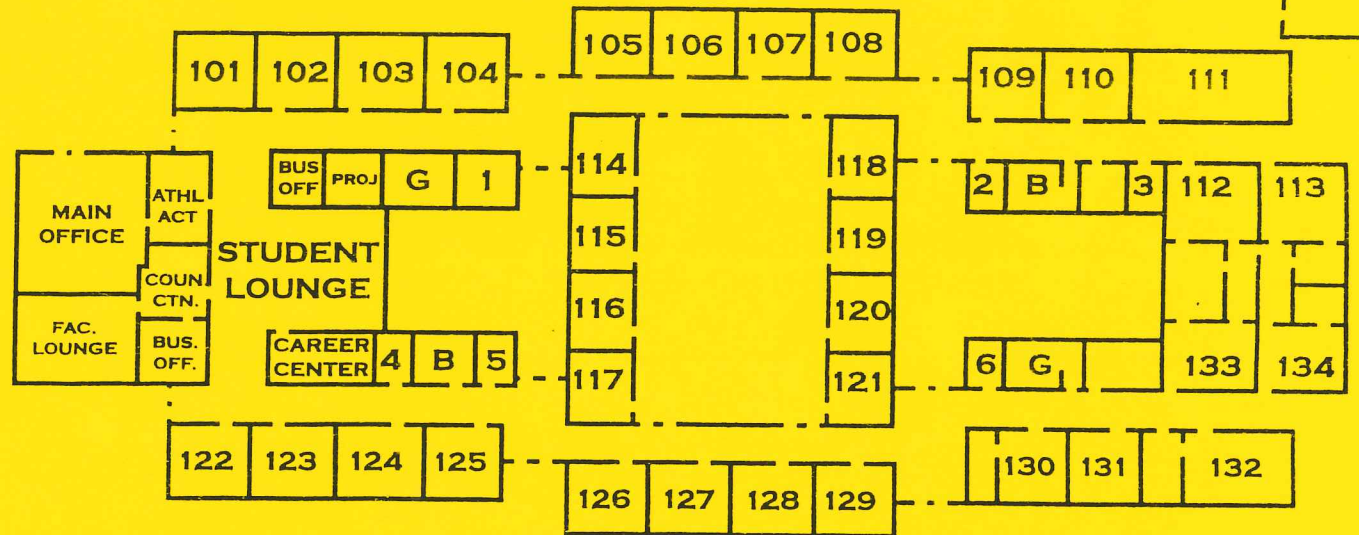
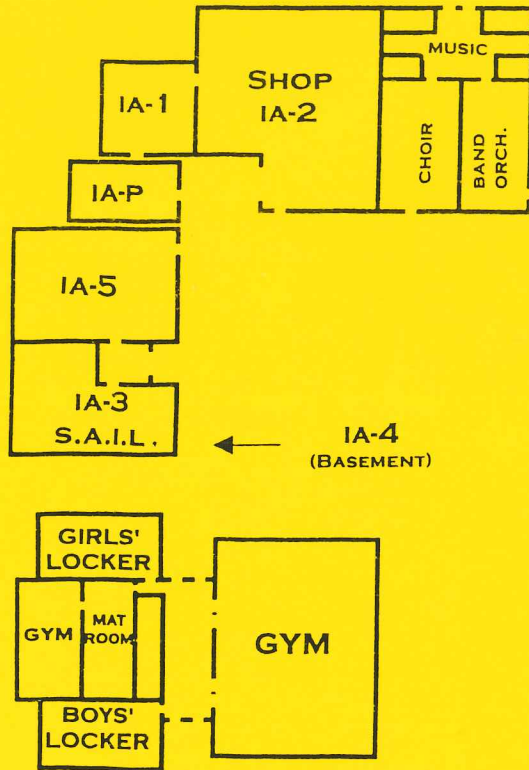
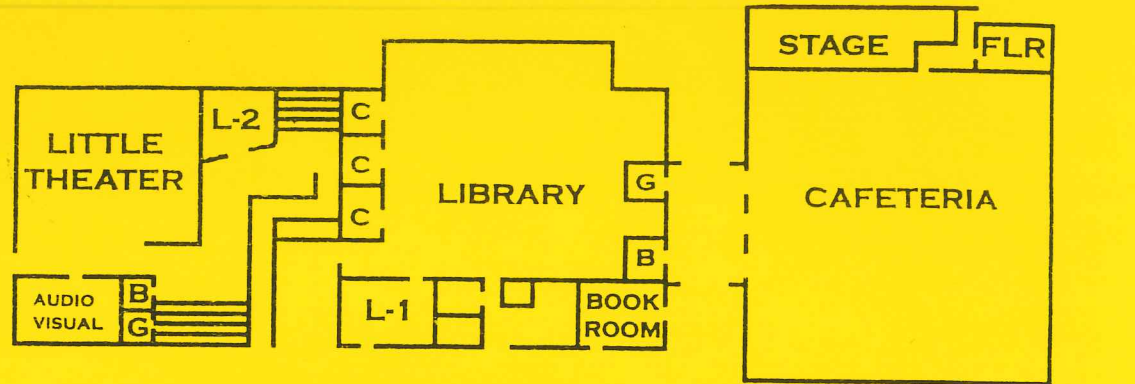




SEHOME HIGH SCHOOL CAMPUS MAP



DESIGNED BY SHAYAN MOINI

B = BOY'S BATHROOM
 G = GIRL'S BATHROOM
 C = CONFERENCE ROOM
 1-6 = SEMINAR OFFICES